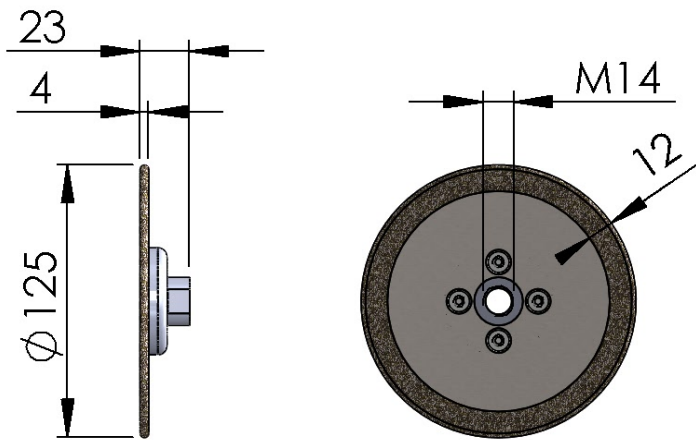
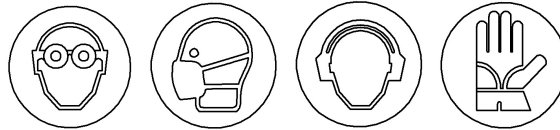


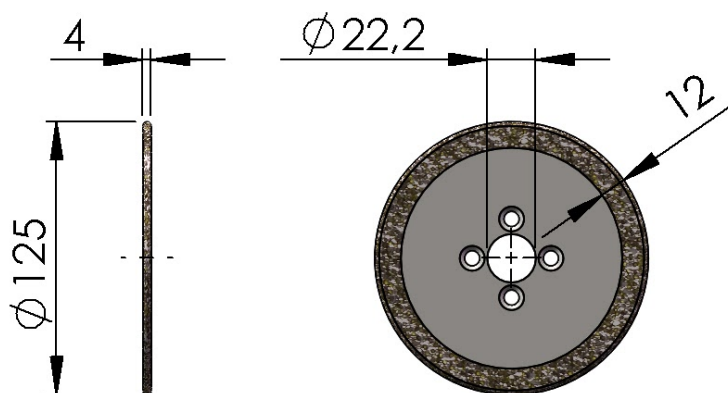
**FEATURES :** HIGH REMOVAL RATE - LONG LIFE  
**APPLICATIONS :** CAST IRON (GREY AND NODULAR) - SOFT STONES - FRP - OTHER  
**MACHINES :** DEVELOPED FOR ANGLE GRINDERS  
**SAFETY :** MAX PERIPHERAL SPEED 80 M/SEC



Ø 125 CUT & GRIND

F04868

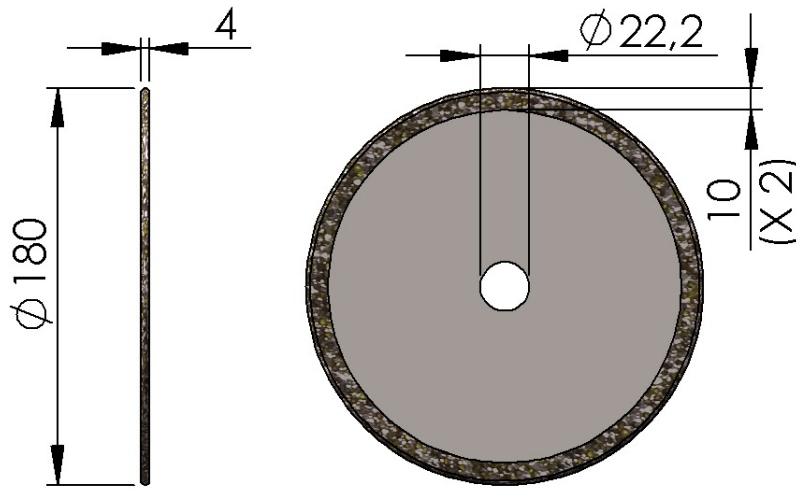
MAX RPM 12.250



Ø 125 CUT & GRIND  
(WITHOUT FLANGE)

F05372

MAX RPM 12.250

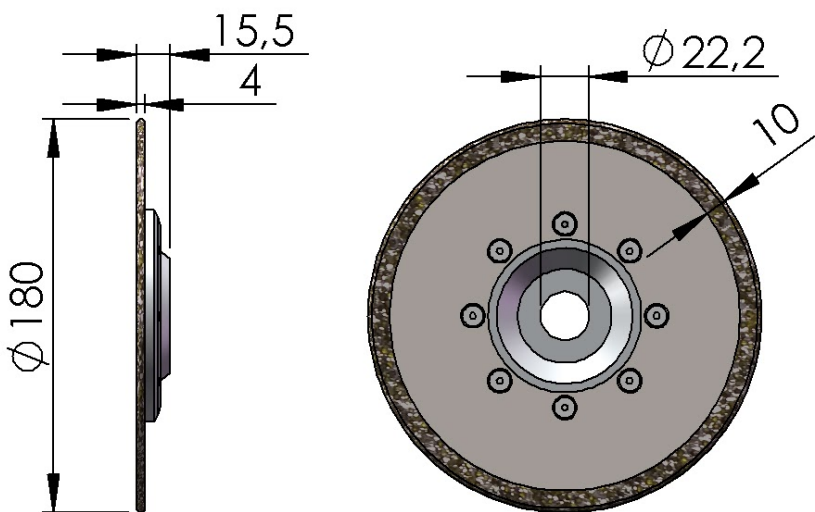


Ø 180 CUT

F05805

MAX RPM 8.500

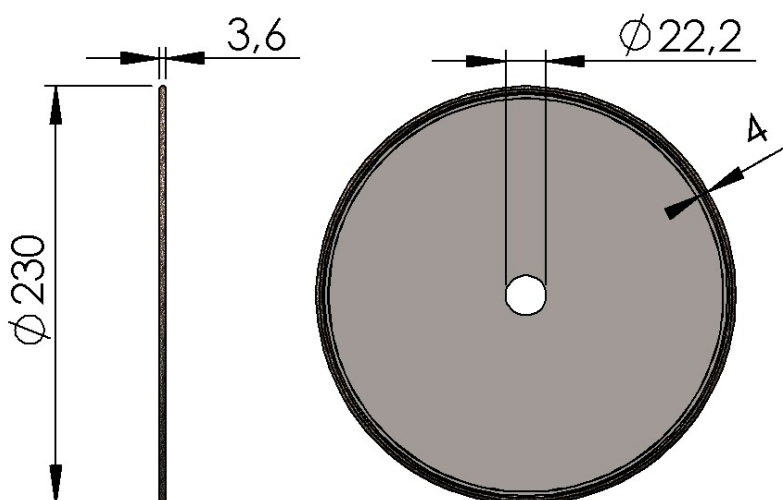
EN 13236



Ø 180 CUT & GRIND

F05804

MAX RPM 8.500



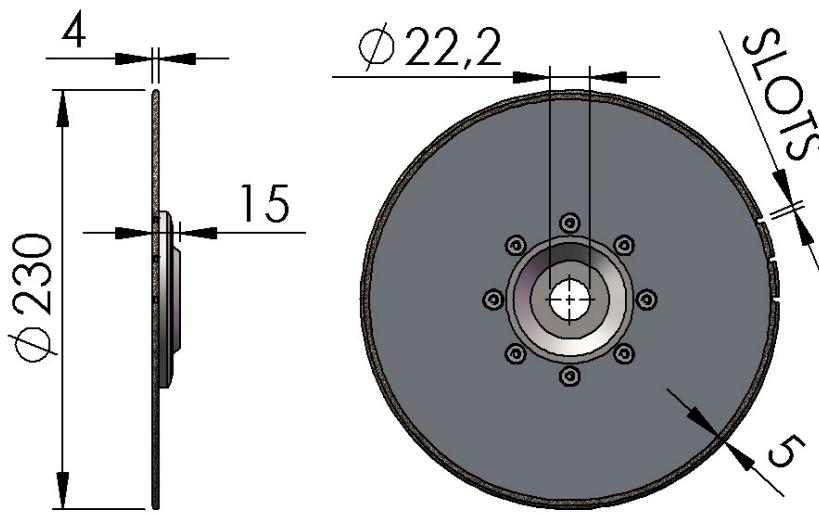
Ø 230 CUT

F00653

MAX RPM 6.650

EN 13236

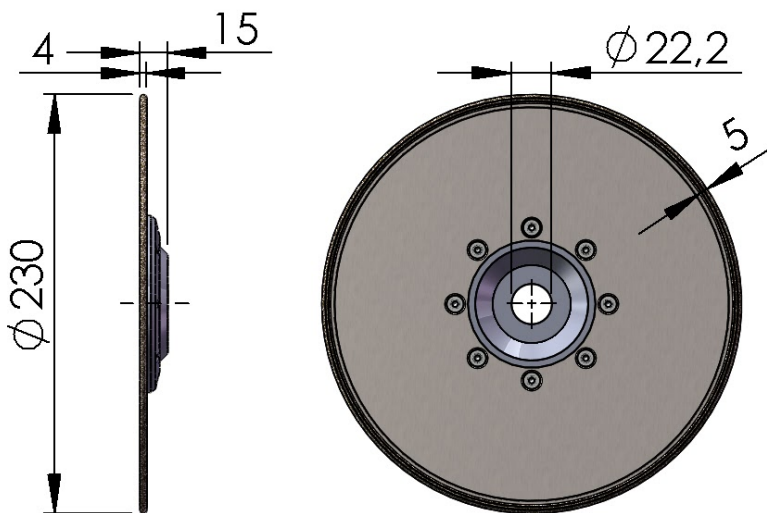




Ø 230 CUT  
(FLANGE AND SLOTS)

F01001

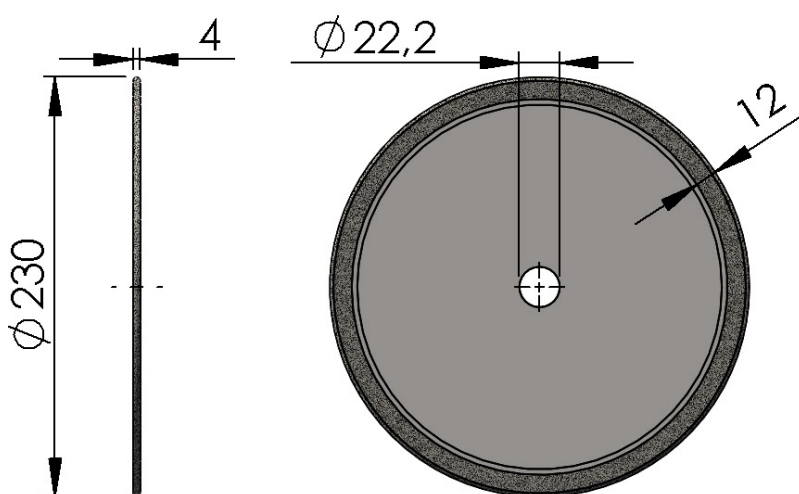
MAX RPM 6.650



Ø 230 CUT  
(FLANGE - NO SLOTS)

F06316

MAX RPM 6.650

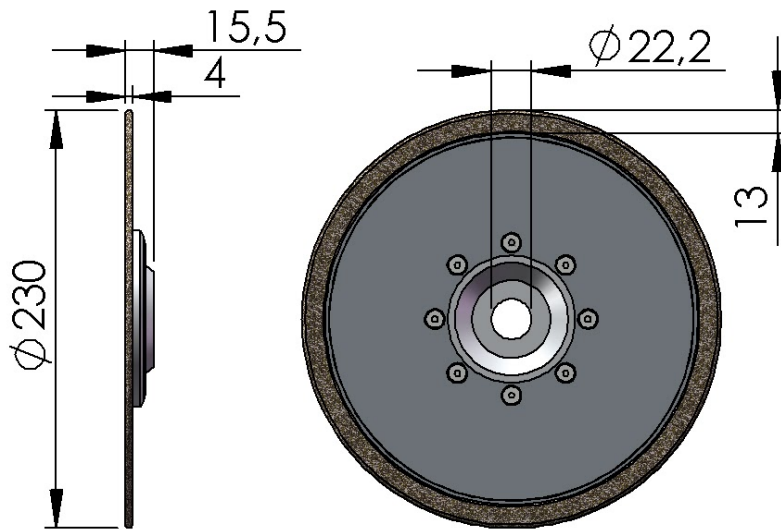


Ø 230 CUT

F06265

MAX RPM 6.650

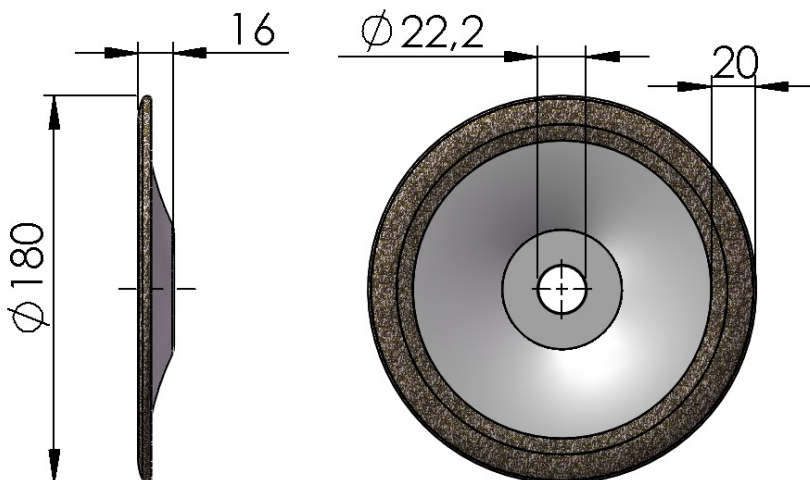
EN 13236



Ø 230 CUT & GRIND

F06251

MAX RPM 6.650



Ø 180 GRIND

F02450

MAX RPM 8.500