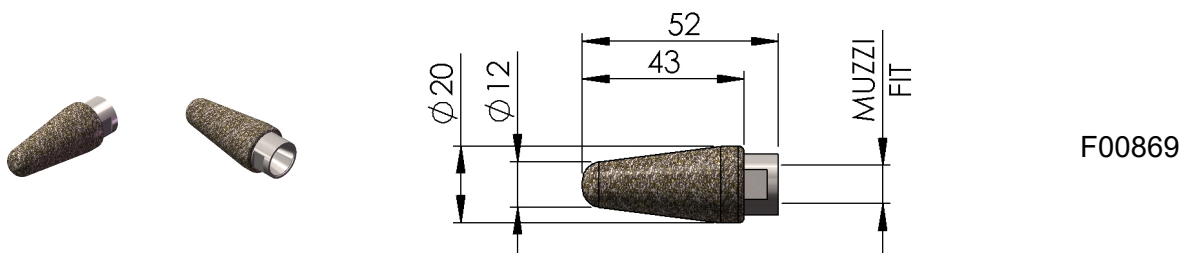
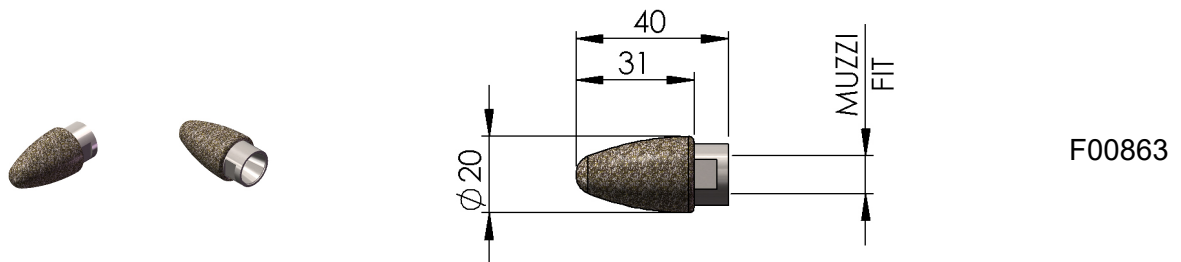
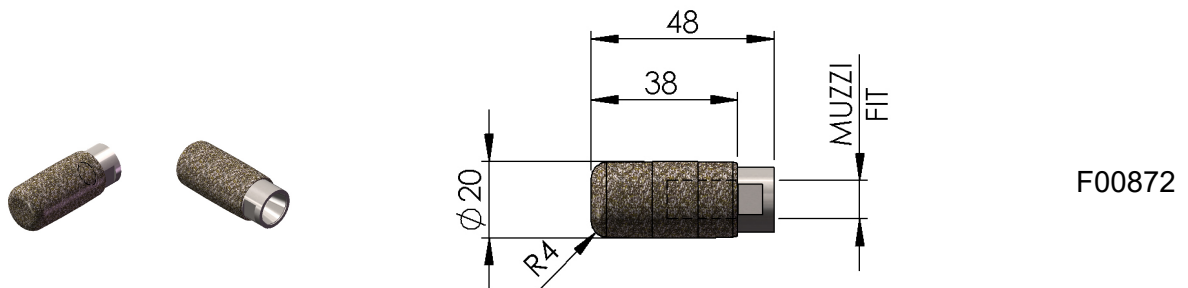
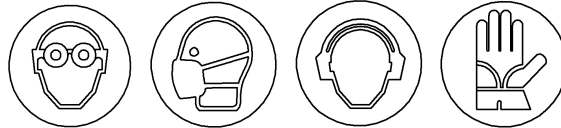
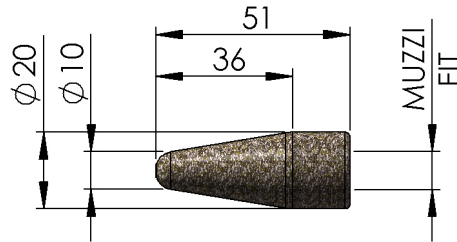
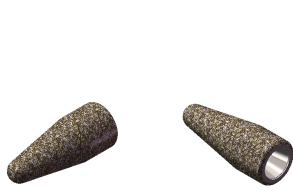
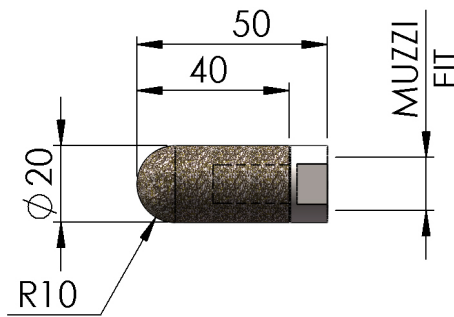


FEATURES : HIGH REMOVAL RATE - LONG LIFE
APPLICATIONS : CAST IRON (GREY AND NODULAR) - SOFT STONES - FRP - OTHER
MACHINES : DEVELOPED FOR HIGH FREQUENCY AND AIR GRINDERS
SPEED : SPEED IS NORMALLY 18.000 RPM BUT HIGHER IS ADVISABLE
SAFETY : MAX SPEED 60.000 RPM

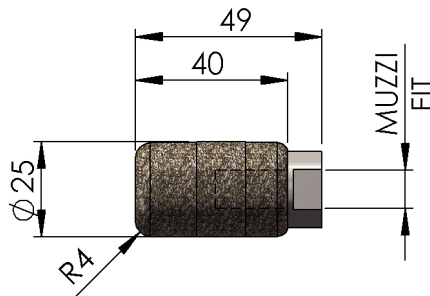
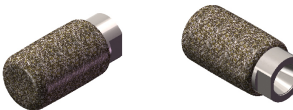




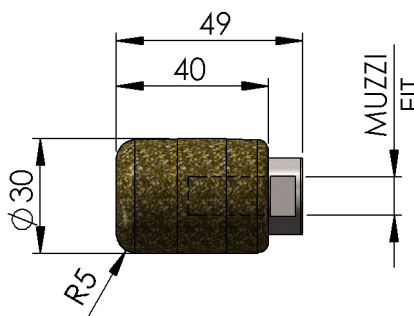
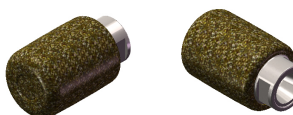
F03190



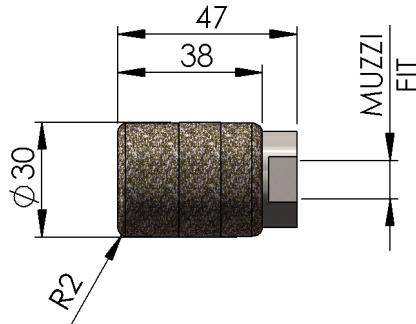
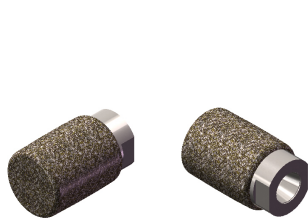
F06803



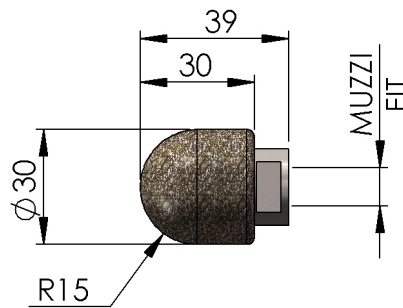
F00867



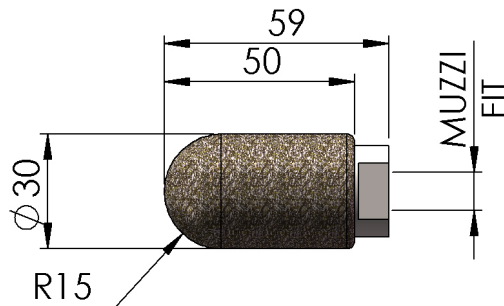
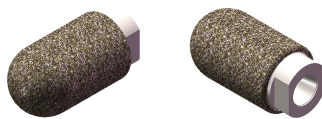
F00868



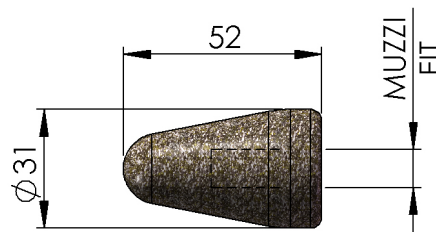
F01607



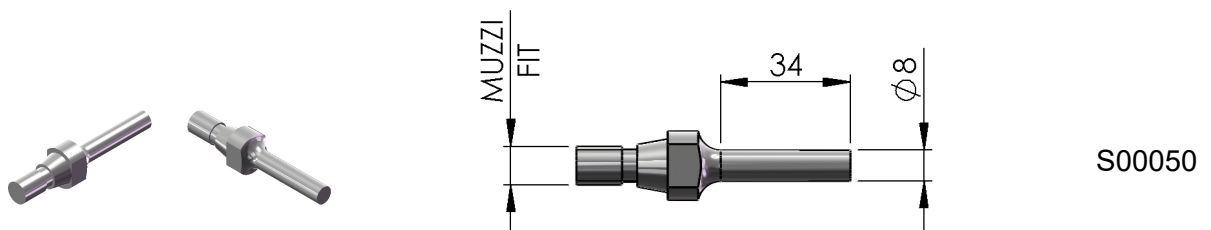
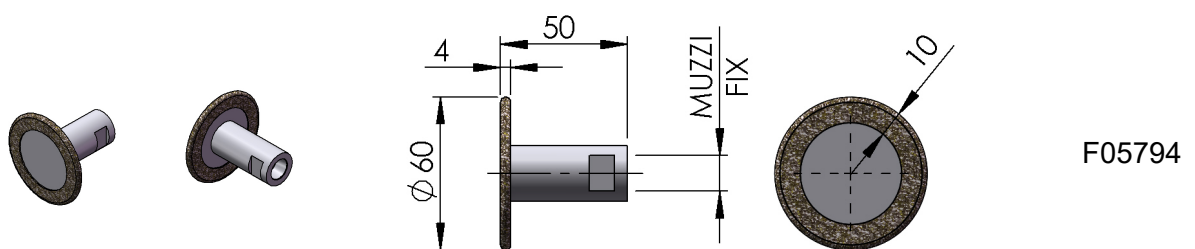
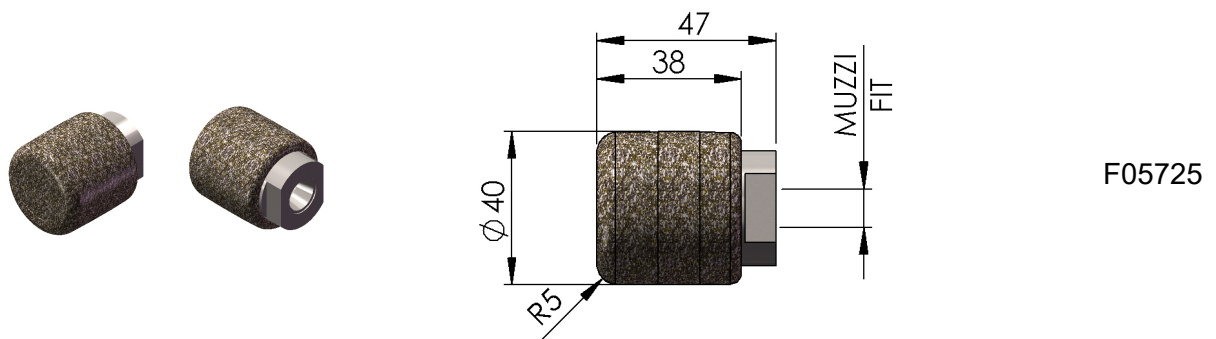
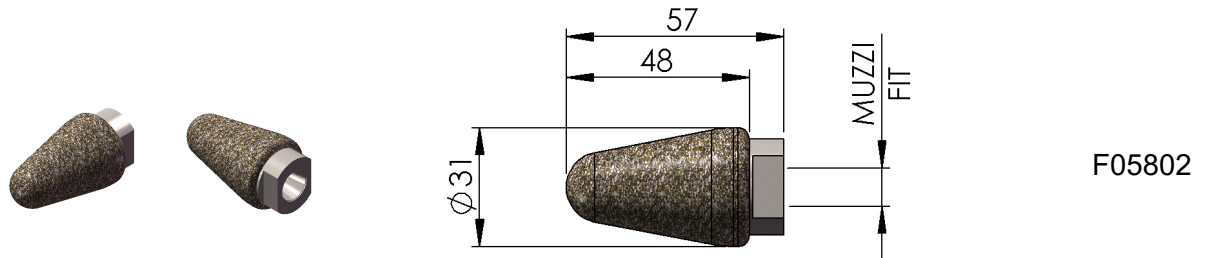
F06080

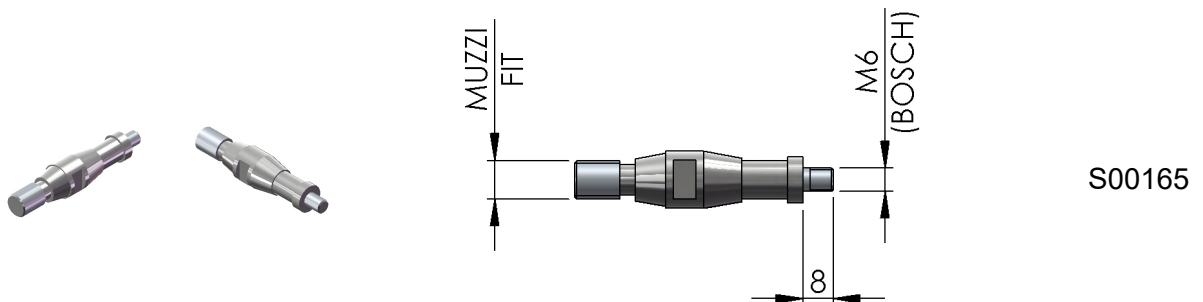
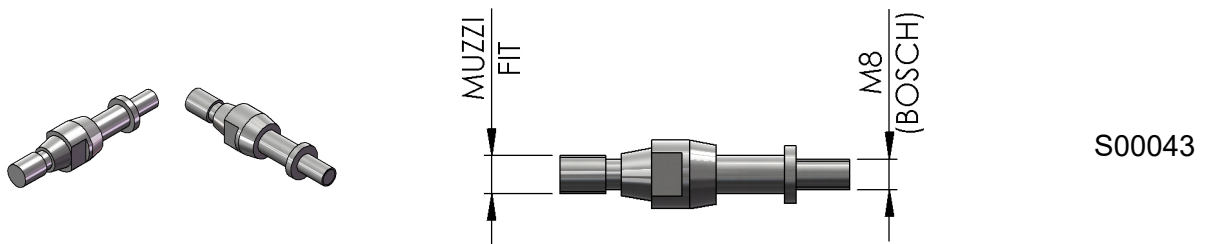
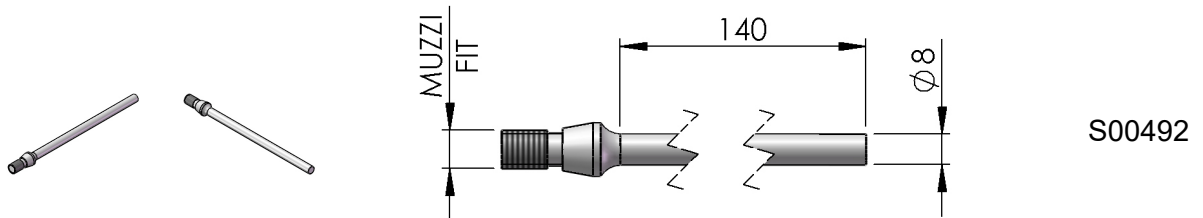
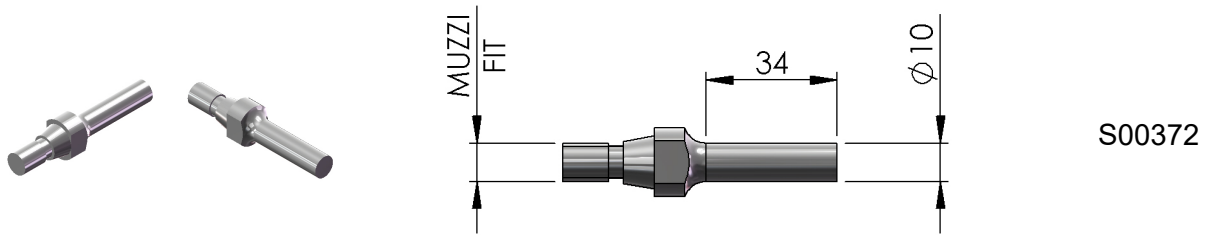


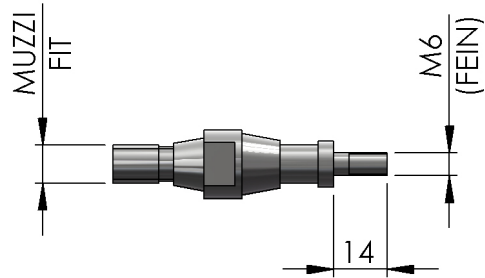
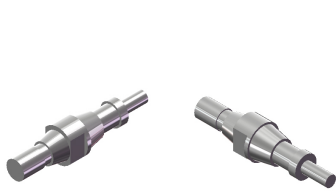
F06632



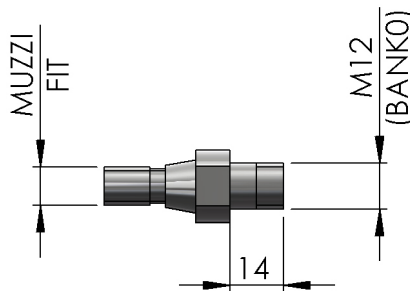
F00703



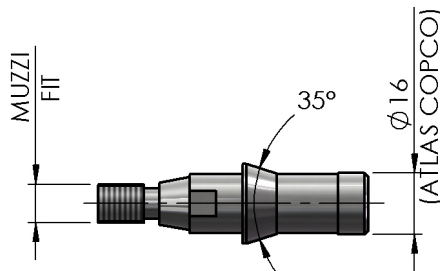
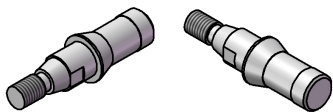




S00044



S00503



S00623