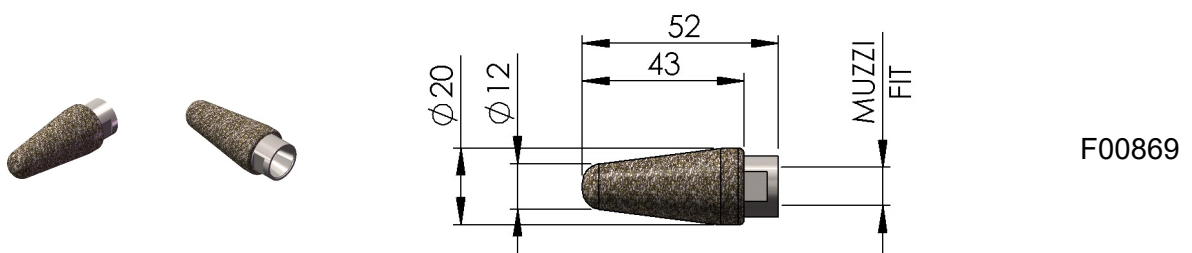
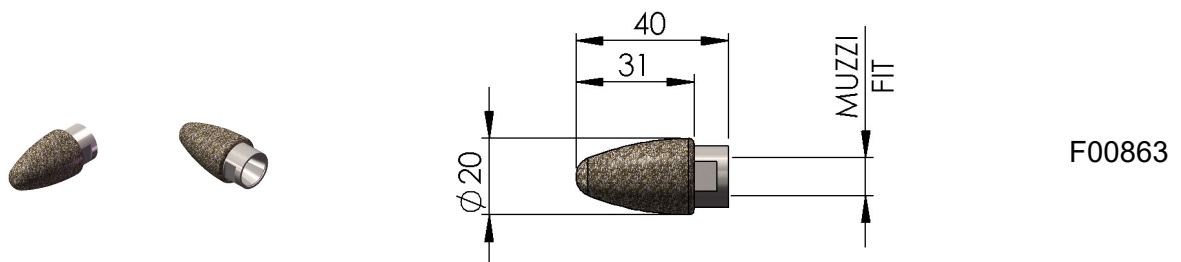
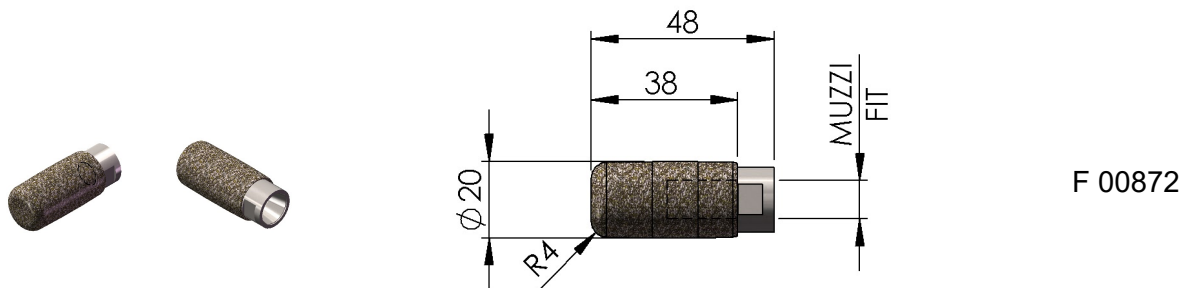
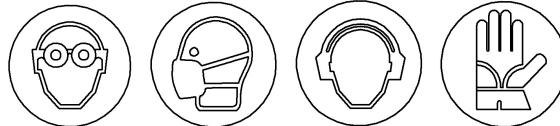
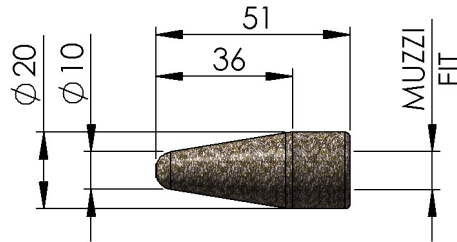
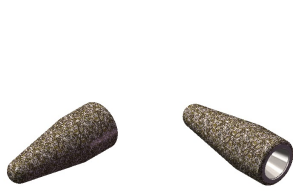
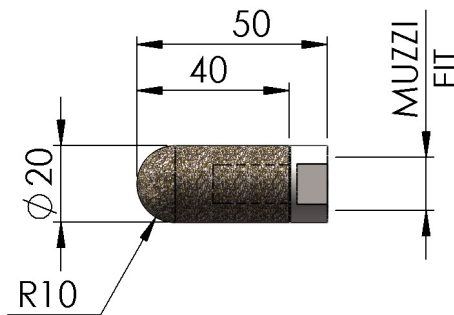


FEATURES : HIGH REMOVAL RATE - LONG LIFE
APPLICATIONS : CAST IRON (GREY AND NODULAR) - SOFT STONES - FRP - OTHER
MACHINES : DEVELOPED FOR HIGH FREQUENCY AND AIR GRINDERS
SPEED : SPEED IS NORMALLY 18.000 RPM BUT HIGHER IS ADVISABLE
SAFETY : MAX SPEED 60.000 RPM

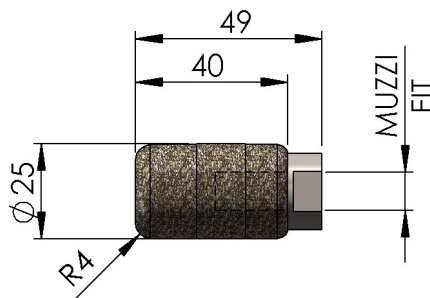
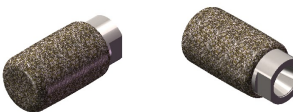




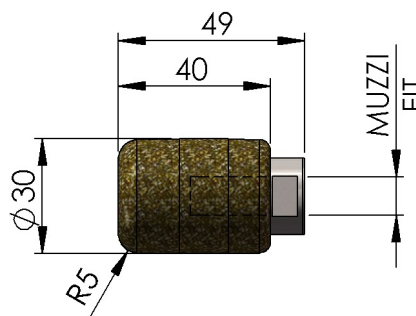
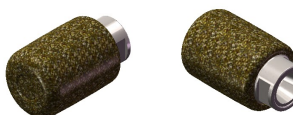
F03190



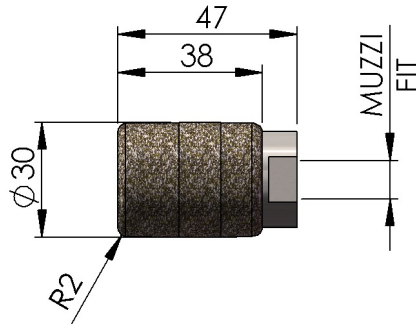
F06803



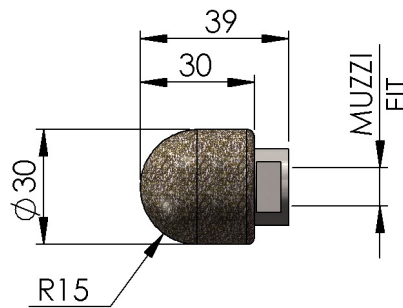
F00867



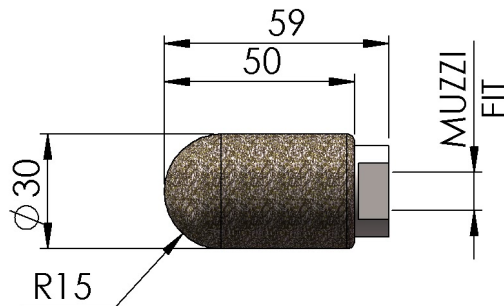
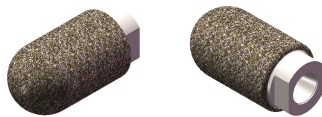
F00868



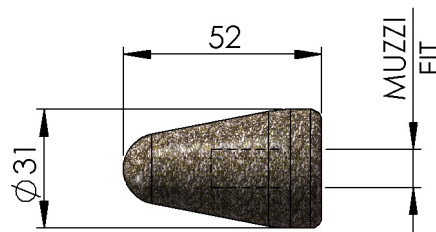
F01607



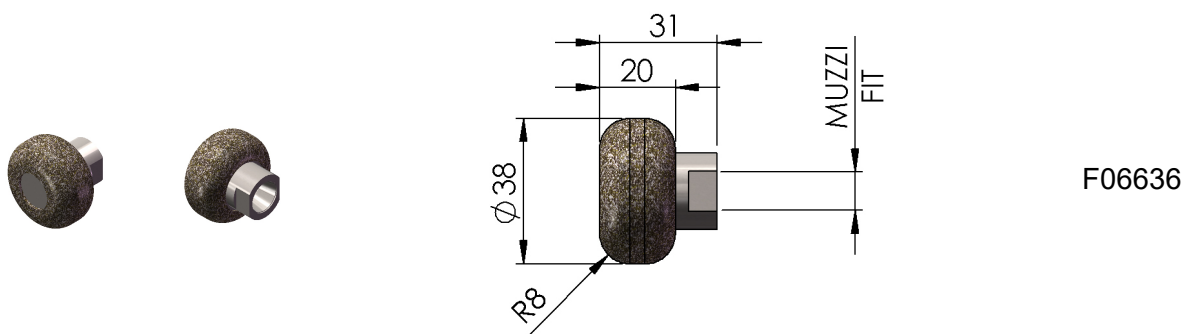
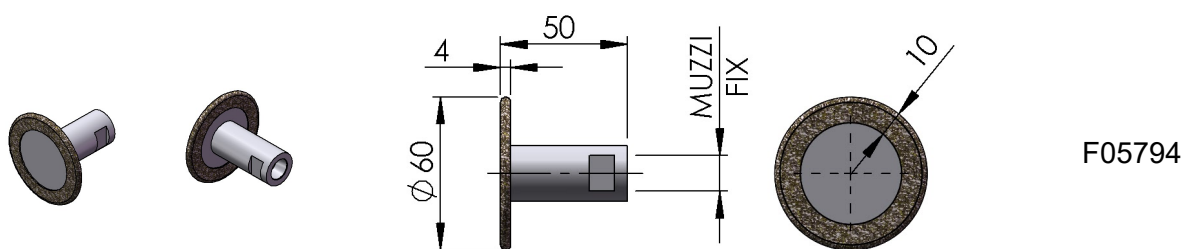
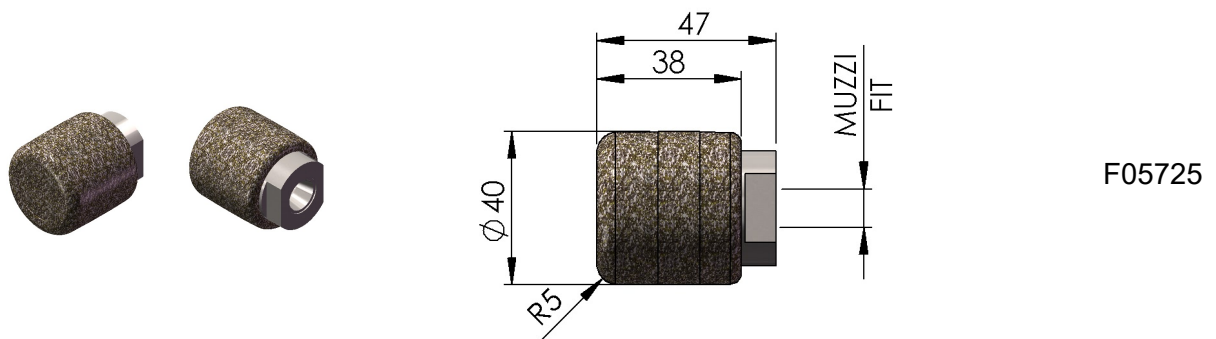
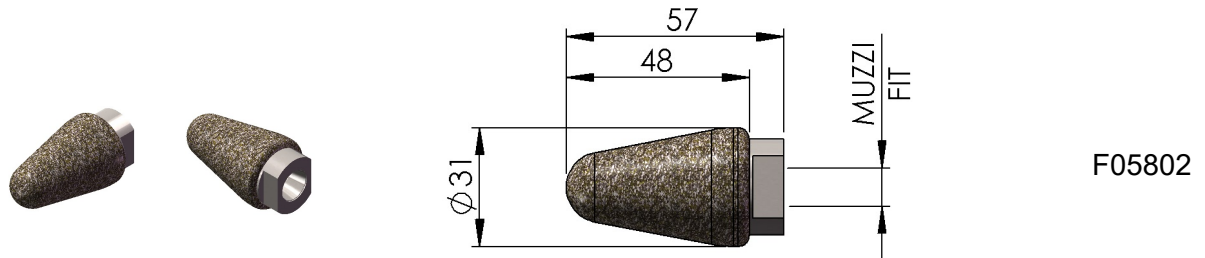
F06080

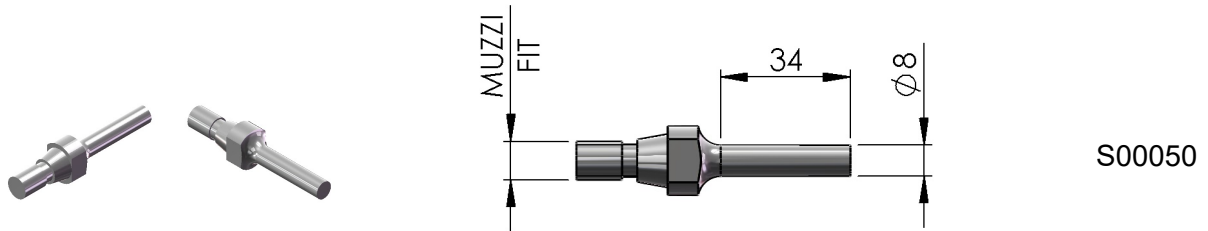


F06632

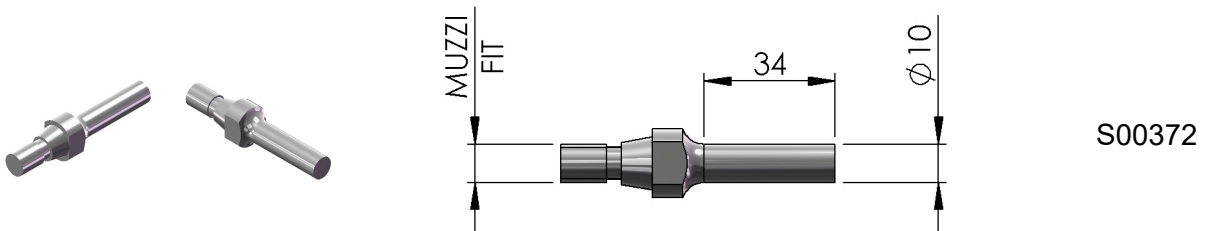


F00703

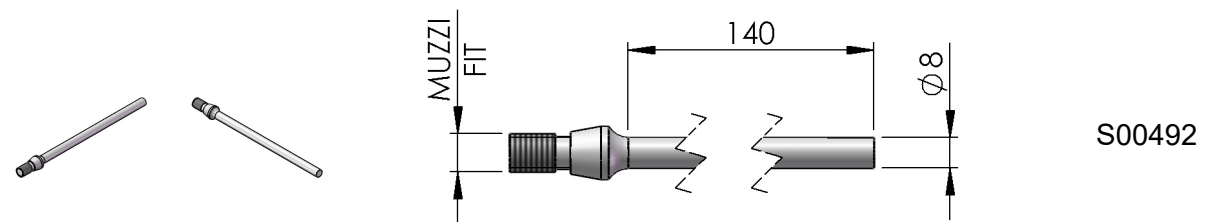




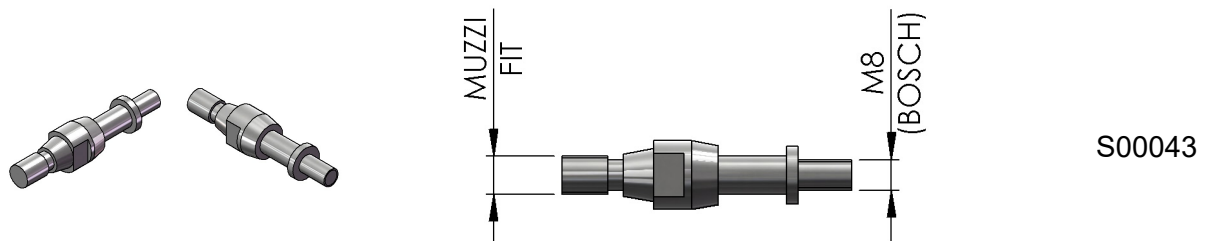
S00050



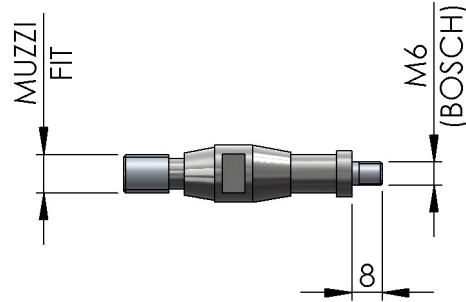
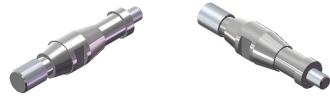
S00372



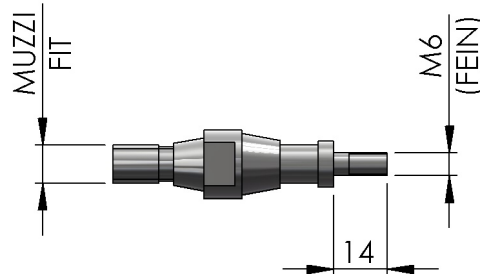
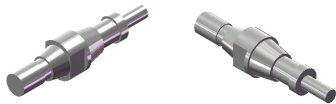
S00492



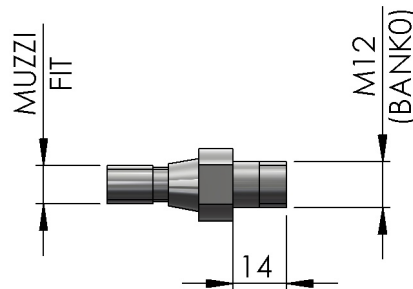
S00043



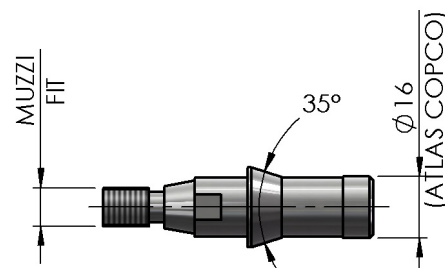
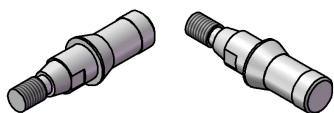
S00165



S00044



S00503

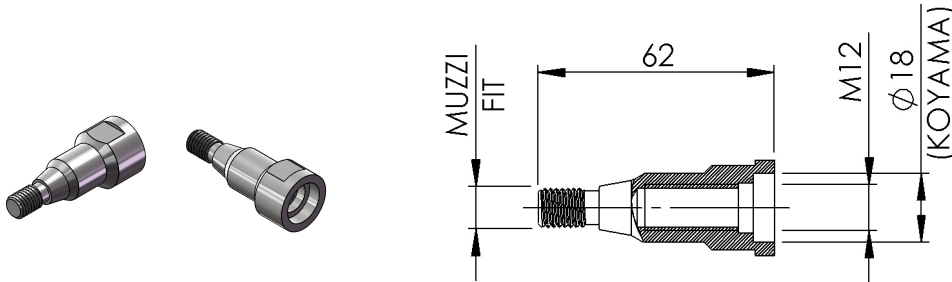


S00623



DIAMOND BURRS FOR CAST IRON GRINDING
MUZZI THREADED CONNECTION (MUZZI FIT)
AND ADAPTORS

PAG 7 / 7



S00652