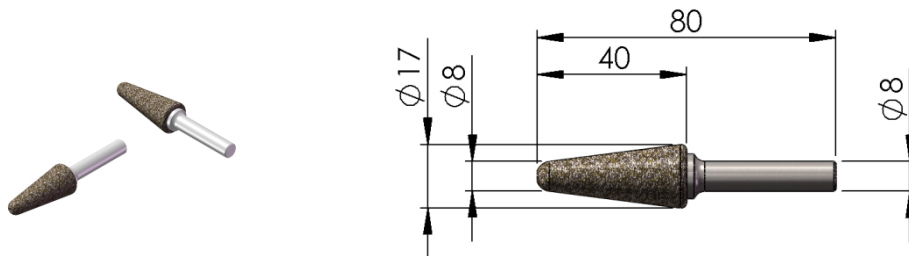
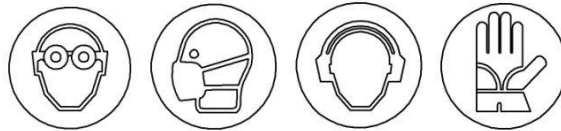
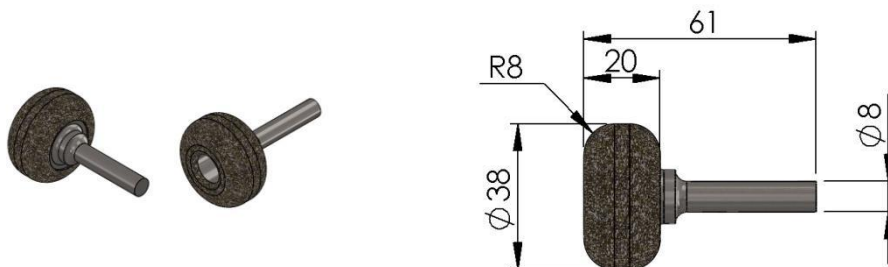


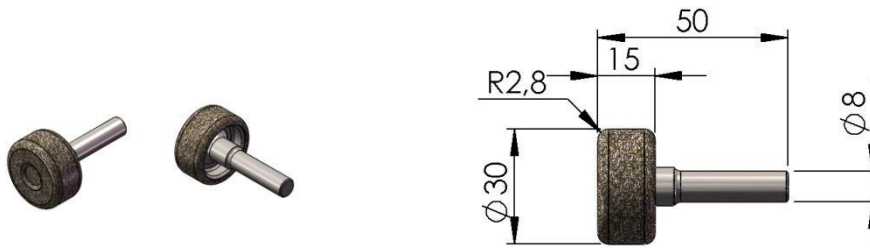
FEATURES : HIGH REMOVAL RATE - LONG LIFE  
 APPLICATIONS : CAST IRON (GREY AND NODULAR) - SOFT STONES - FRP - OTHER  
 MACHINES : DEVELOPED FOR HIGH FREQUENCY AND AIR GRINDERS  
 SPEED : SPEED IS NORMALLY 18.000 RPM BUT HIGHER IS ADVISABLE  
 SAFETY : MAX SPEED 60.000 RPM



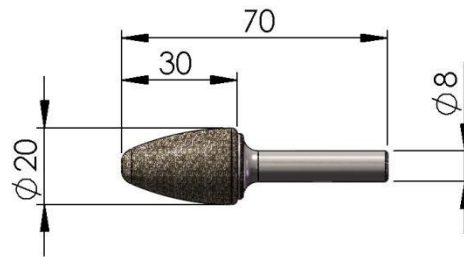
F00951



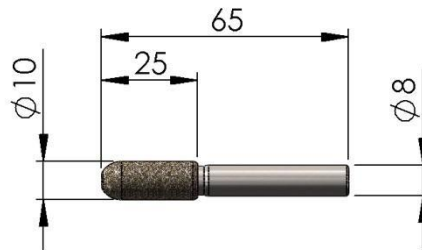
F02711



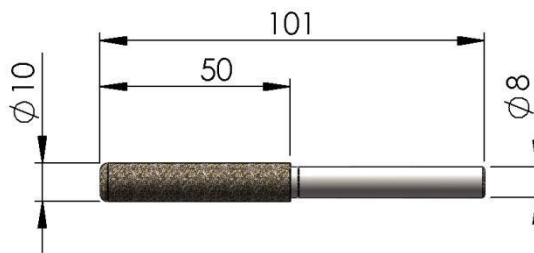
F03831



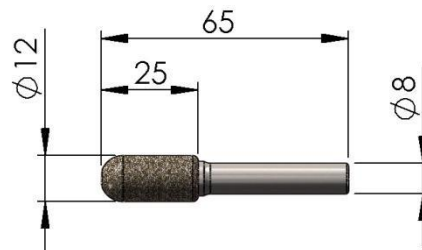
F01430



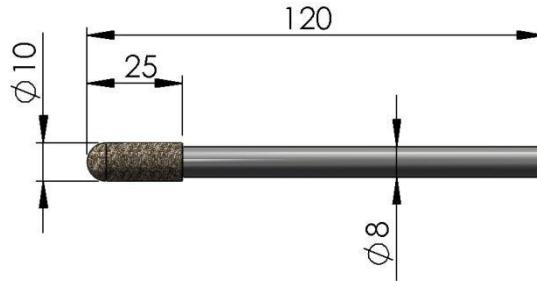
F00859



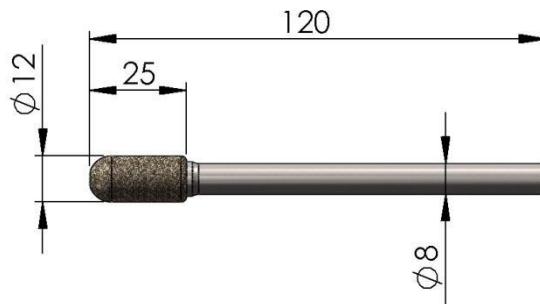
F02838



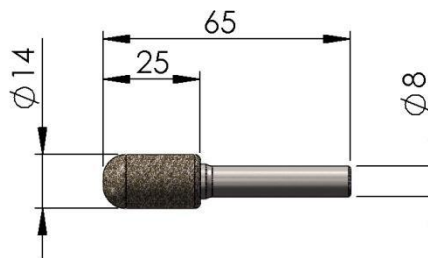
F00981



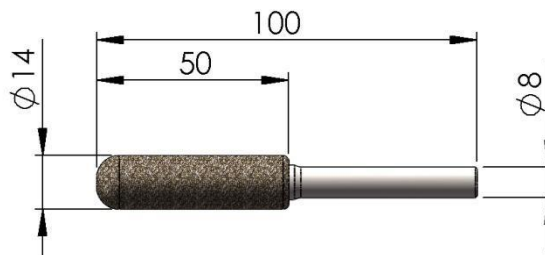
F00439



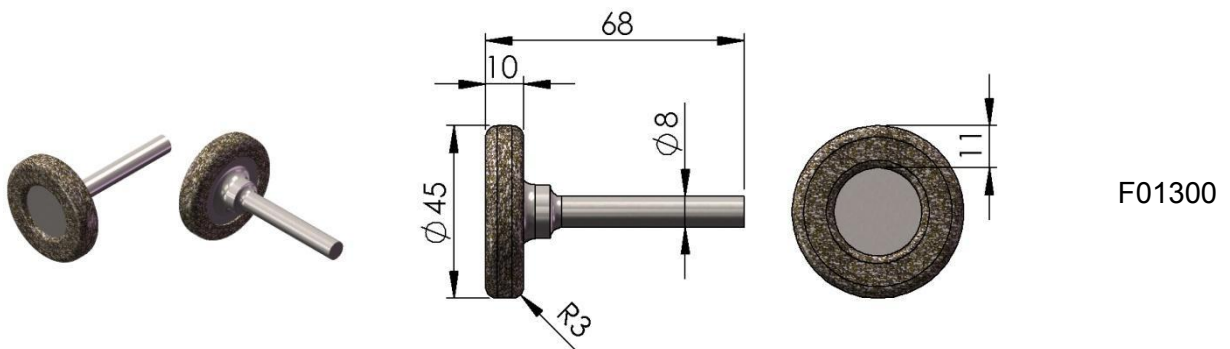
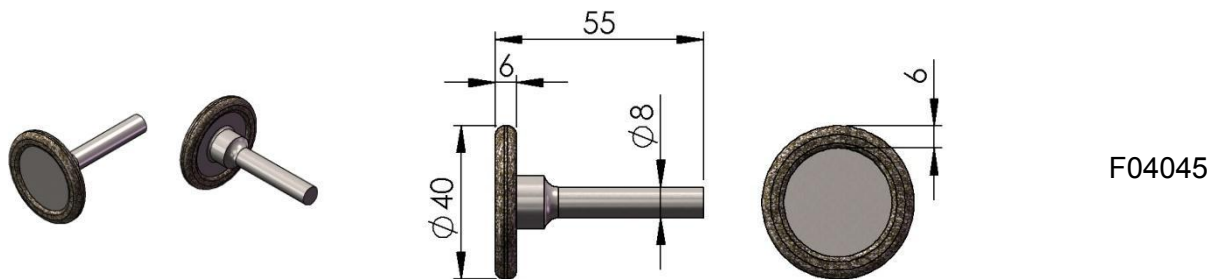
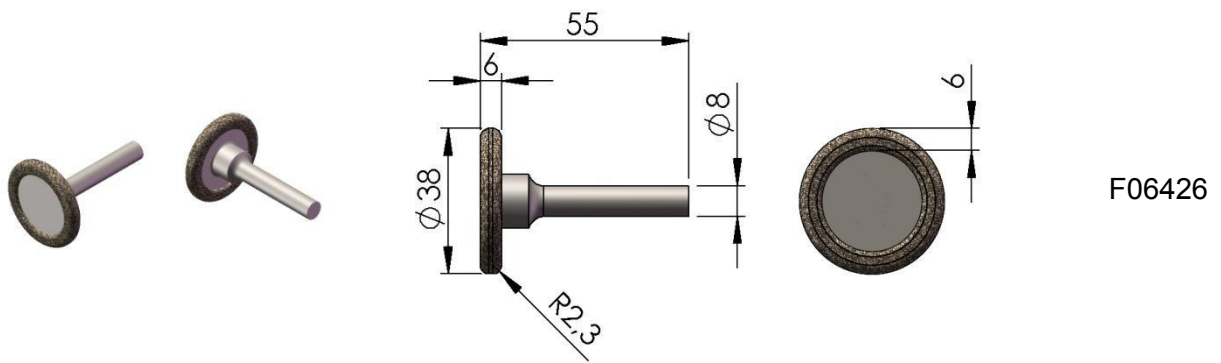
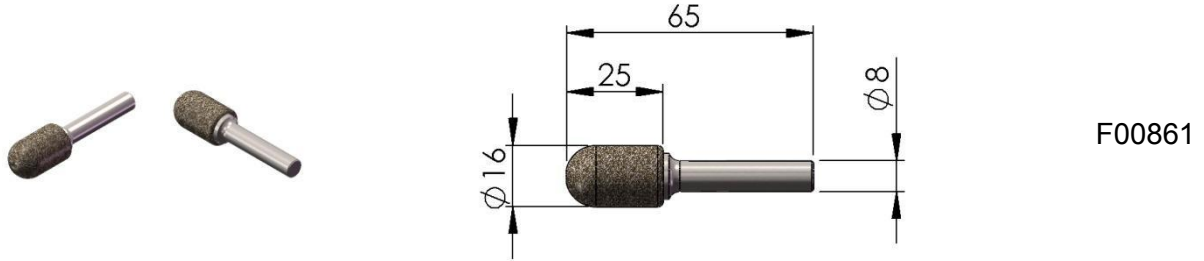
F05987

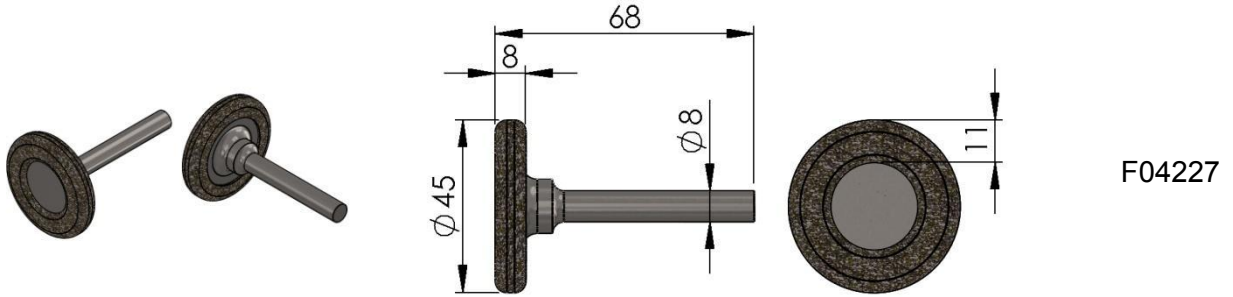


F00860

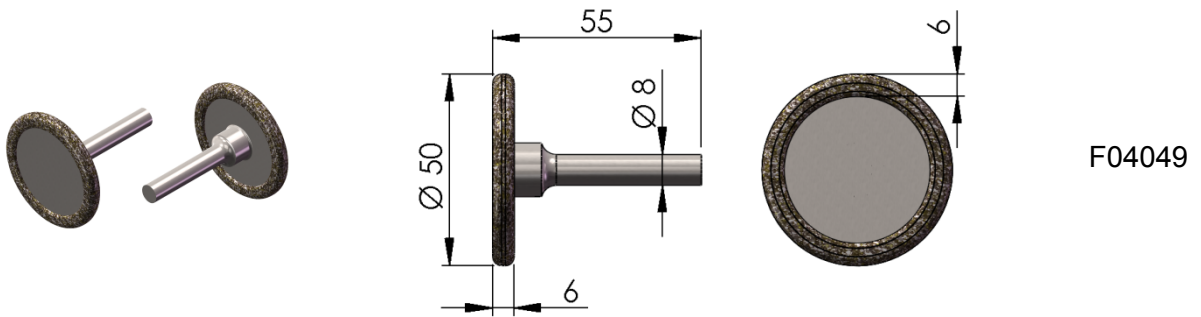


F06631

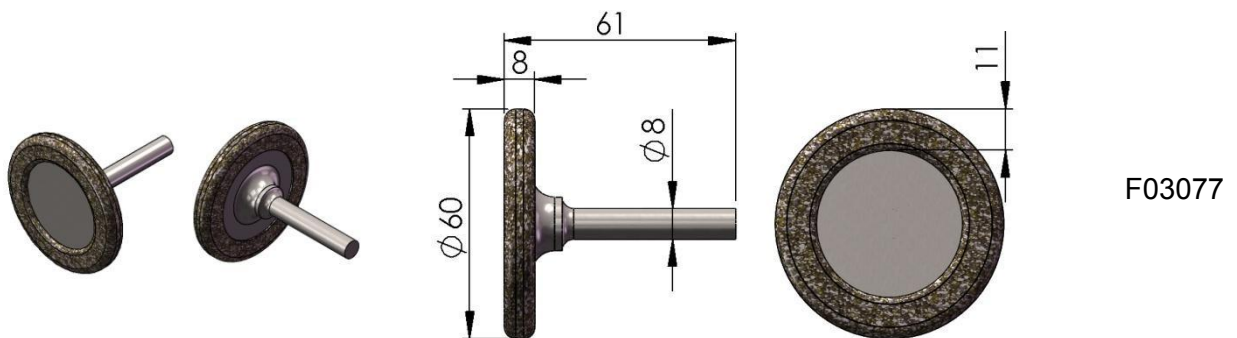




F04227



F04049



F03077