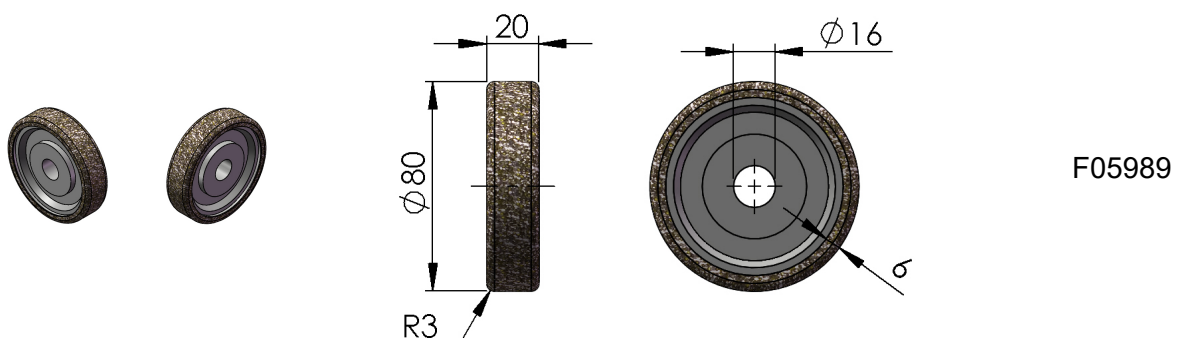
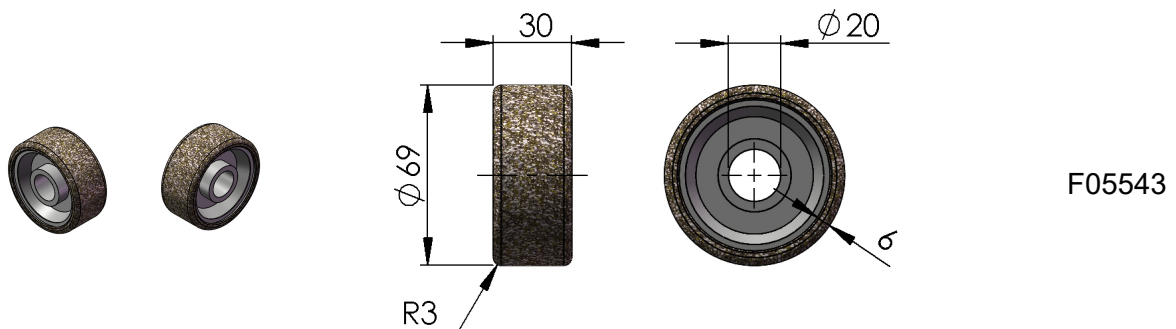
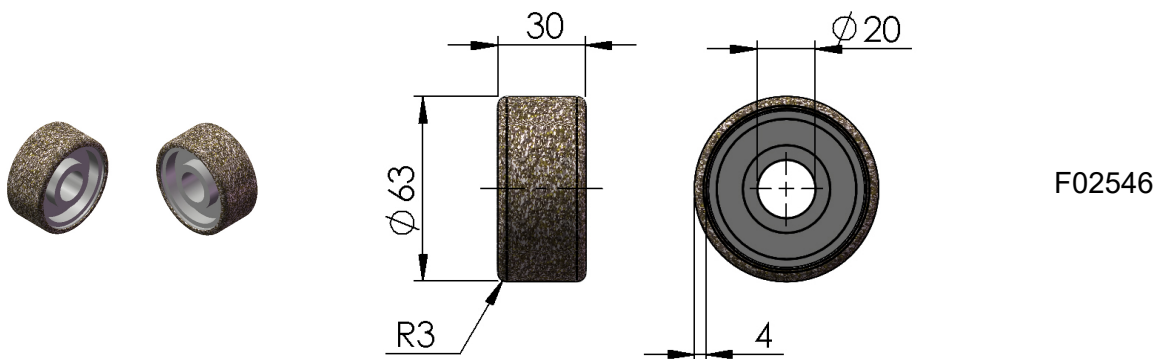
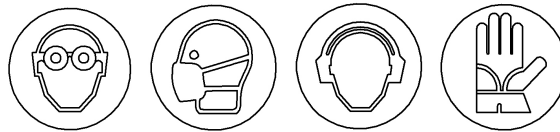
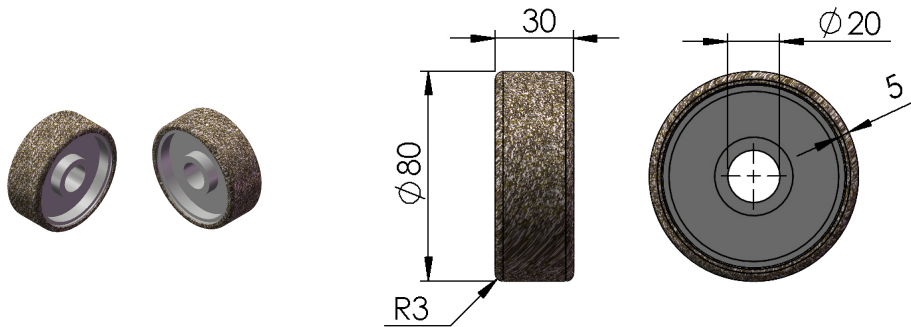
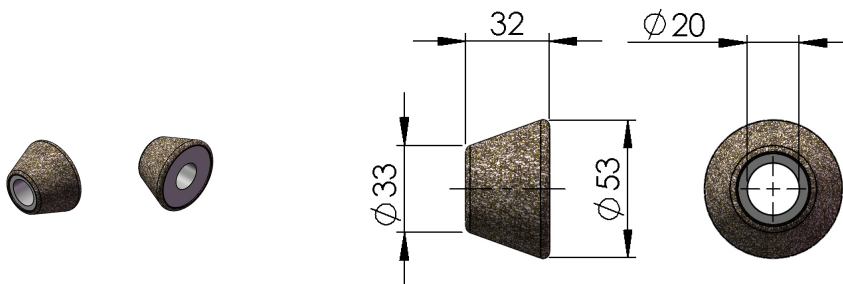


**FEATURES :** HIGH REMOVAL RATE - LONG LIFE  
**APPLICATIONS :** CAST IRON (GREY AND NODULAR) - SOFT STONES - FRP - OTHER  
**MACHINES :** DEVELOPED FOR STRAIGHT GRINDERS  
**SAFETY :** MAX PERIPHERAL SPEED 80 M/SEC (EN 13236)

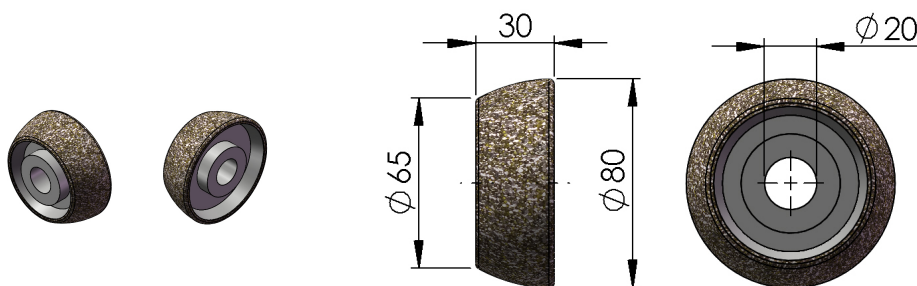




F05445



F05728



F05840