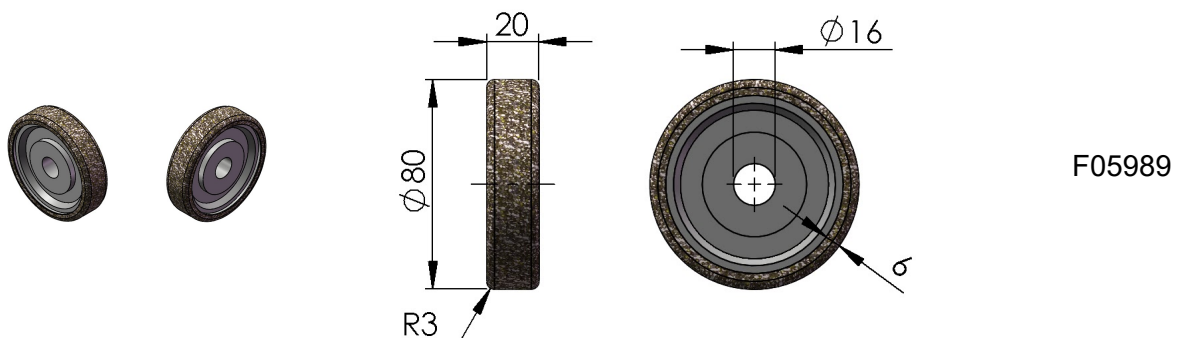
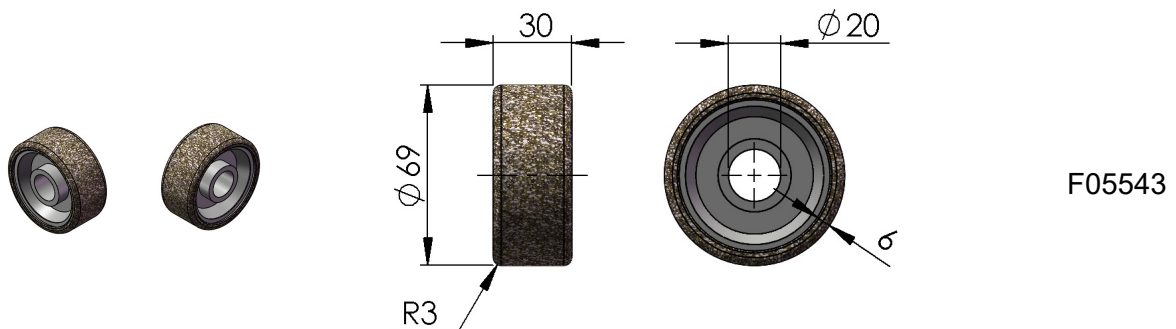
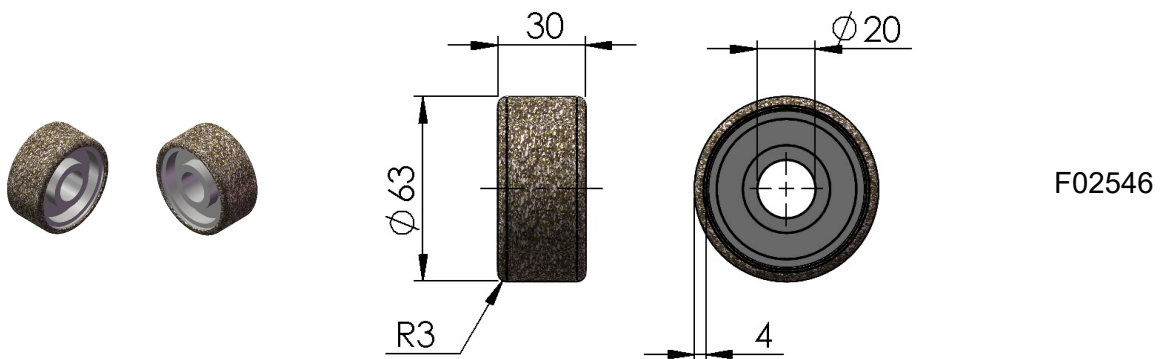
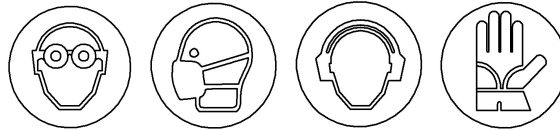
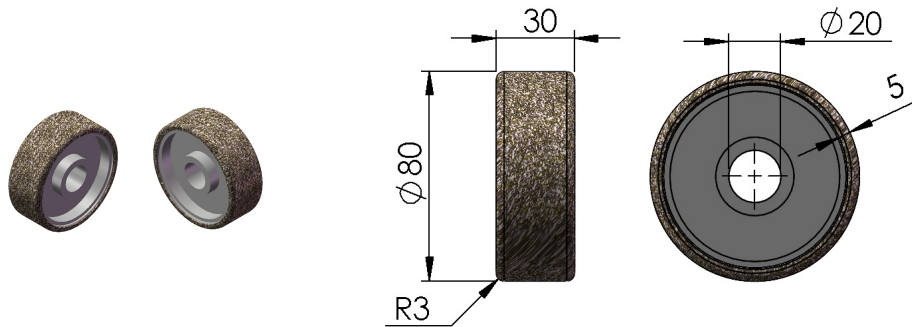
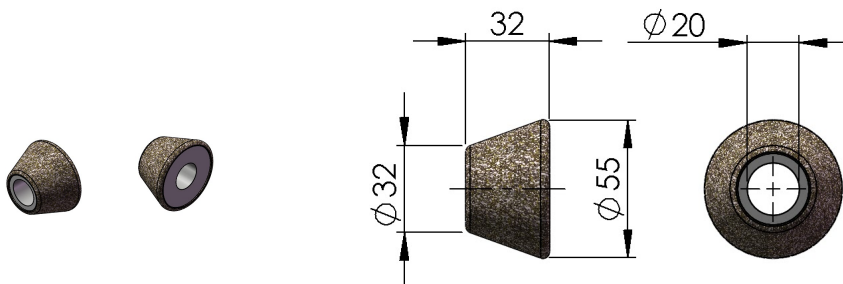


FEATURES : HIGH REMOVAL RATE - LONG LIFE
APPLICATIONS : CAST IRON (GREY AND NODULAR) - SOFT STONES - FRP - OTHER
MACHINES : DEVELOPED FOR STRAIGHT GRINDERS
SAFETY : MAX PERIPHERAL SPEED 80 M/SEC (EN 13236)

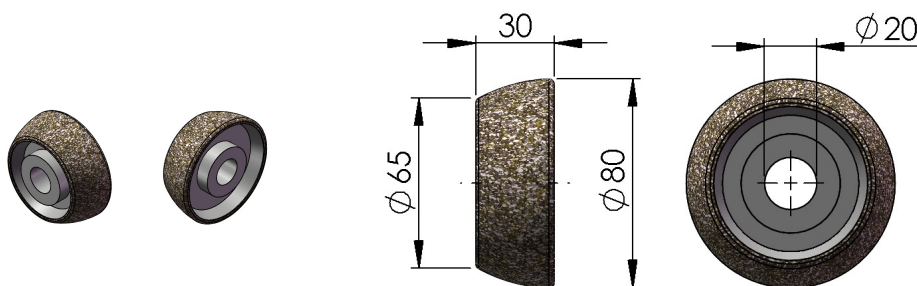




F05445



F05728



F05840