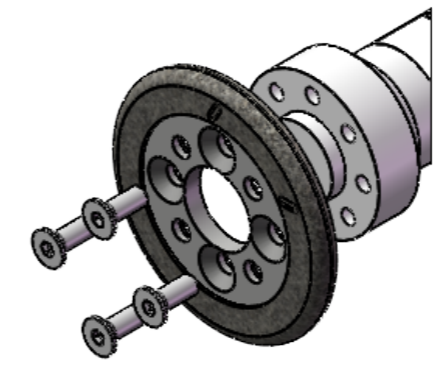
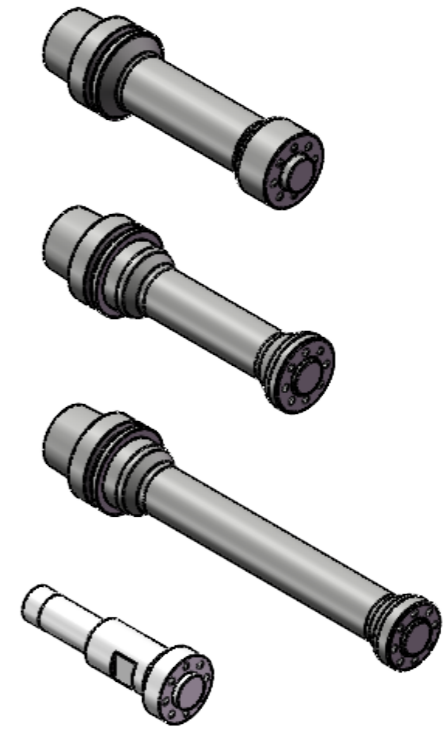
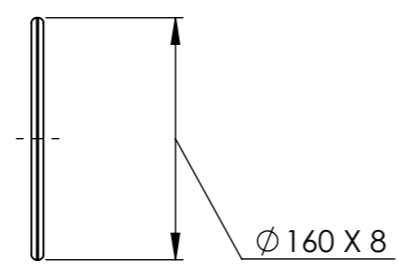
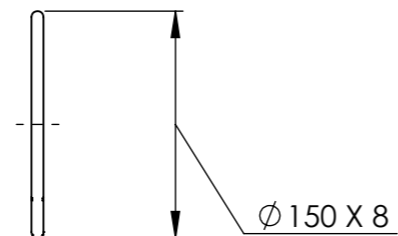
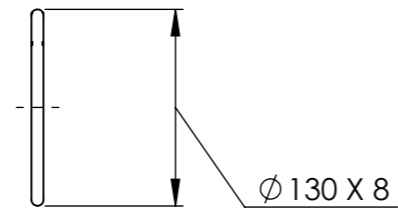
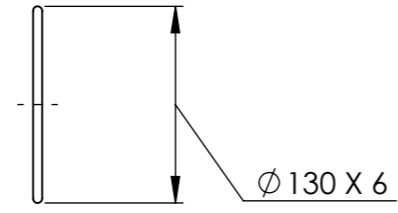
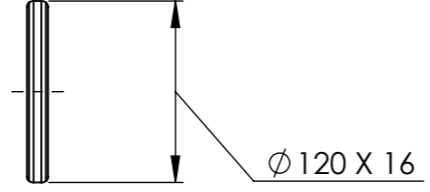
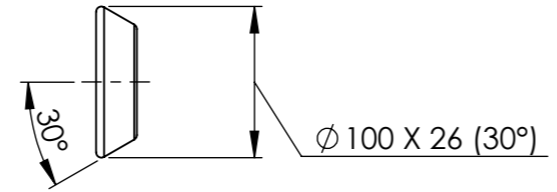
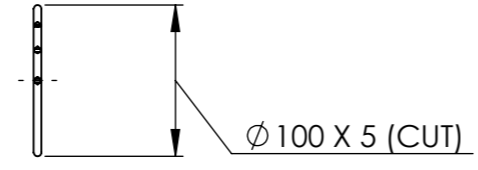
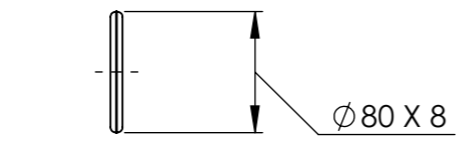


NEW ADAPTERS CAN BE PRODUCED ACCORDING TO YOUR NEEDS



FIXING WITH 4x M6 SCREWS



info@muzzisrl.it
www.muzzisrl.it

STANDARD Ø25 MUZZI FIXING - TOOL HOLDERS AND DIAMOND WHEELS

DISEGNATORE: Matteo Muzzi DISEGNATO: 22/11/2021 APPROVATO: 22/11/2021	102234 TIPO TAVOLA CATALOGUE	STATO: APPROVED REVISION 0	SHEET 1 OF 1 A3
---	------------------------------------	-------------------------------	--------------------